

Case Center for Imaging Research

Survey Report – Radionuclide Use Area

Location: **Micro PET-CT**
Lerner B206

Authorized **Muzic**
User: _____

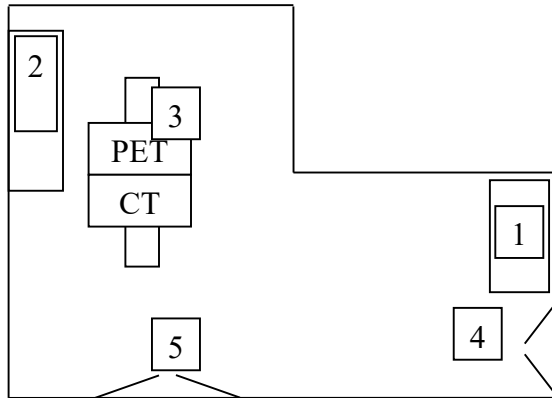
Radionuclides Used: _____

Post Experiment

Weekly

Semiannual

Survey map



METER SURVEY:

Trigger 200 dpm
Level: /100 cm²

Instrument* Ludlum
Make: _____
Model: 14C
Serial #: 269852

Calibration
Date: 07/14/2023
Efficiency: 0.65%
Op. Check: _____

Results:

No readings above trigger level

Other: _____

WIPE TEST RESULTS:

Trigger 200 dpm
Level: /100 cm²

Instrument: Hidex AMG (SN 2180119)

Efficiency: 45% (05-24-23)

See reverse page for counts

SUMMARY OF FINDINGS:

No significant contamination levels / meter readings

Other
:

Surveyed by (print & sign)

Date

* Meter calibration sheet on file.

Case Center for Imaging Research

Survey Report – Radionuclide Use Area

Date : _____

Name : _____

Location	Survey			Wipe Test			Notes
	cpm	dpm	< 2x Bkg?	cpm	dpm	< 2x Bkg?	
EFFICIENCY							dpm = (cpm – cpm bkgr)/efficiency
Background							
1 – bench							
2 – bench							
3 – scanner							
4 – floor							
5 – floor							

* Values required only when cpm exceed 2x background.